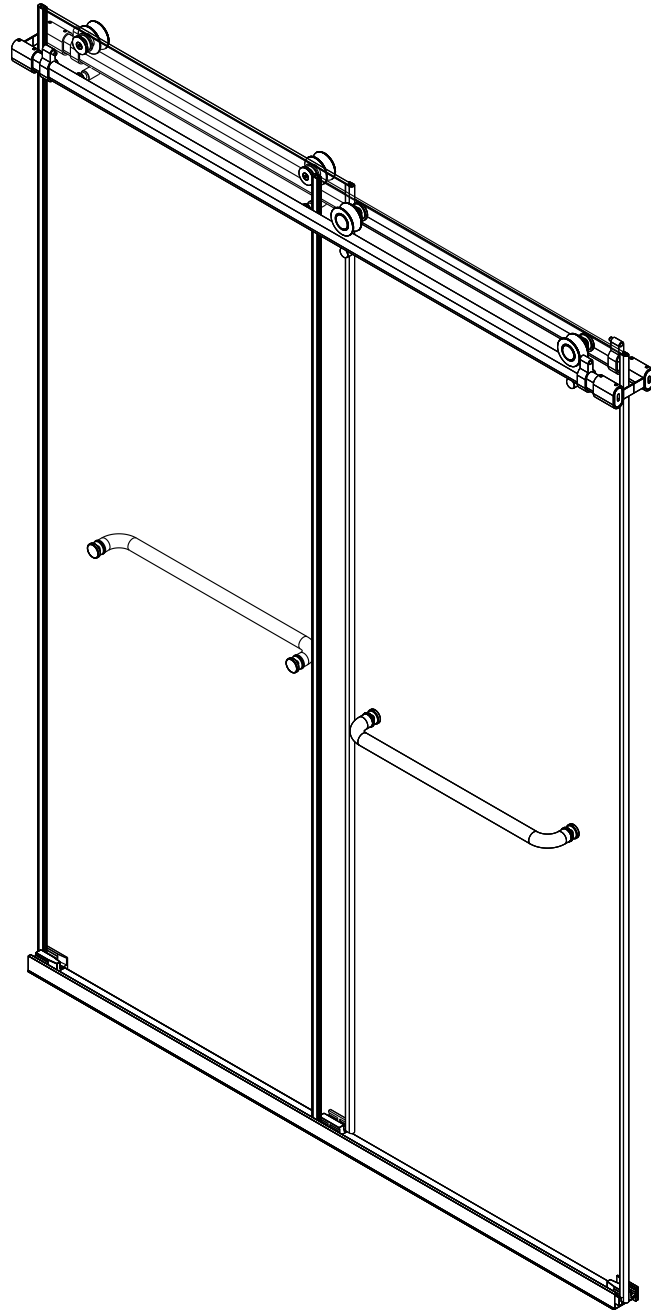
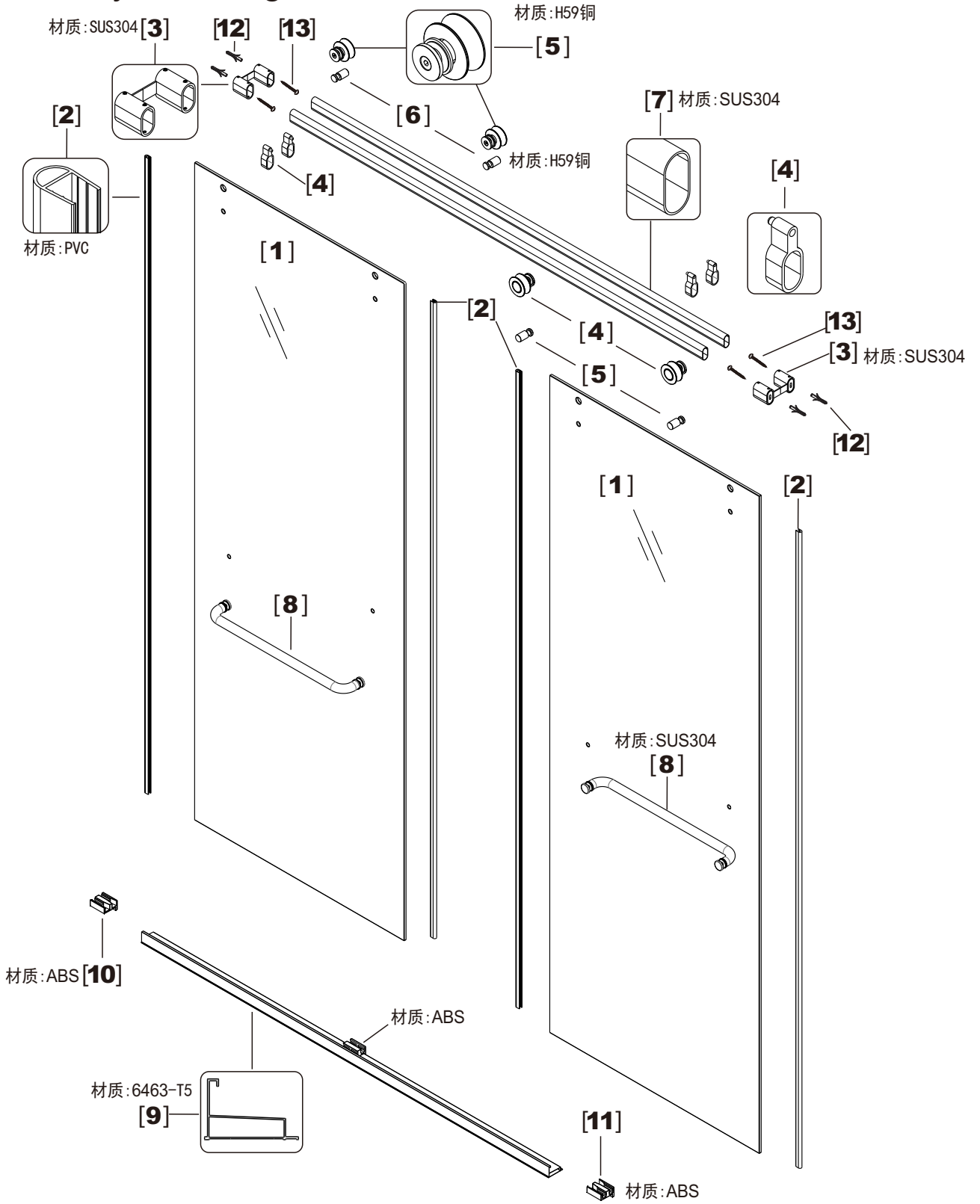


# INSTALLATION INSTRUCTIONS

DSD0206-2



# ◆ Assembly Drawing



[1]		x2
[6]		x4
[11]		x1

[2]		x4
[7]		x2
[12]		x4

[3]		x2
[8]		x2
[13]	ST4x30	x4

[4]		x4
[9]		x1

[5]		x4
[10]		x1